

# Pneumatic Air Tool

CATALOG



**flexPower**  
by mountz

# Table of Contents

---

- 1.1 Flex Power In-Line Air Tools (Lever & Push-to-Start)
- 1.2 Flex Power Pistol Grip Air Tools
  
- 1.3 Flex Power Right Angle Air Tools
- 1.4 EZ-TorQ (Torque Analyzers)
  
- 1.5 TorqueLab LTT-Series (Torque, Angle & Force Analyzers)
- 1.6 EZ-Glider Linear Torque Arm
  
- 1.7 EZ-Slider Torque Arm
- 1.8 EZ-Glider Articulated Torque Arm
  
- 1.9 EZ-Glider Telescoping Torque Arm
- 1.10 EZ-Glider Telescoping Torque Arm
  
- 1.11 Tool Balancers
- 1.12 Accessories
  
- 1.13 Special Bits
- 1.14 Bit Holders & Nutsetters
  
- 1.15 Power Bits
- 1.16 Power Bits

# In-Line

Pneumatic Screwdrivers

**flexPower**  
by mountz

## KEY FEATURES

Various models that range from 2.6 - 95.5 lbf.in

High performance oil free motor delivers environmentally friendly, durable, power and speed. One third more power than competitive models.

Safe operation with reduced noise, vibration and low torque reaction.

High accuracy patented clutch with precision automatic shut-off.

Soft texture ergonomic grip for operator comfort.

One touch torque adjustment, eliminates difficult set up of drivers. Torque nut cover prevents operator tampering.

Four different colored tool bands allow color coding of specific torque values (Red, Green, Blue, Yellow are included)

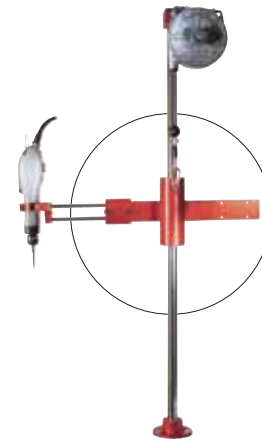
Built with new aluminum alloy to provide durability and reduced maintenance - no cracking, fading or chipping found in composite body tools.

Wide ranges and RPM selections all for easy tool specification based on application requirements.



## COLOR CODE RINGS

Four different colored tool bands allow color coding of specific torque values (Red, Green, Blue, Yellow are included)



## EZ-GLIDER

The torque arm keeps the tool perpendicular and prevents cross threading and side load. Maneuvers smoothly as arm absorbs torque reaction.

Model	Driver Type	Item #	Torque Ranges		RPM	Grip Dia.	Length	Drive Size	Weight lbs.	Noise dBa	Air Usage cfm	Min. Air Hose Bore	Fastening Capacity	
			lbf.in	N.m									Machine Screw Dia	Tapping Screw Dia
XP35	Lever Start	360000	2.6 - 17.4	0.3 - 2	2200	1 1/4"	8"	1/4" F/Hex	1.3	72	8.5	5.0 mm	M2.2 - M4.5	M1.7 - M3.5
XP35PS	Push-to-Start	360005	2.6 - 17.4	0.3 - 2	2200	1 1/4"	7"	1/4" F/Hex	1.2	72	8.5	5.0 mm	M2.2 - M4.5	M1.7 - M3.5
XP40	Lever Start	360001	4.3 - 30.4	0.5 - 3.4	1000	1 1/4"	8"	1/4" F/Hex	1.3	72	8.5	5.0 mm	M2.8 - M5.2	M2.2 - M4.2
XP40PS	Push-to-Start	360006	4.3 - 30.4	0.5 - 3.4	1000	1 1/4"	7"	1/4" F/Hex	1.2	72	8.5	5.0 mm	M2.8 - M5.2	M2.2 - M4.2
XP45	Lever Start	360002	6.9 - 34.7	0.8 - 3.9	800	1 1/4"	8"	1/4" F/Hex	1.3	74	8.5	5.0 mm	M3.3 - M5.8	M2.7 - M4.7
XP45PS	Push-to-Start	360007	6.9 - 34.7	0.8 - 3.9	800	1 1/4"	7"	1/4" F/Hex	1.2	74	8.5	5.0 mm	M3.3 - M5.8	M2.7 - M4.7
XP48	Lever Start	360003	4.3 - 39.1	0.5 - 4.4	1700	1 1/2"	9 1/2"	1/4" F/Hex	1.9	76	15.9	8.0 mm	M3.6 - M6.3	M2.8 - M5.3
XP48PS	Push-to-Start	360008	4.3 - 39.1	0.5 - 4.4	1700	1 1/2"	8 1/2"	1/4" F/Hex	1.8	76	15.9	8.0 mm	M3.6 - M6.3	M2.8 - M5.3
XP60	Lever Start	360004	26 - 95.5	2.9 - 10.8	550	1 1/2"	9 1/2"	1/4" F/Hex	1.9	76	15.9	8.0 mm	M5.0 - M7.6	M4.0 - M6.3
XP60PS	Push-to-Start	360009	26 - 95.5	2.9 - 10.8	550	1 1/2"	8 1/2"	1/4" F/Hex	1.8	76	15.9	8.0 mm	M5.0 - M7.6	M4.0 - M6.3

# Pistol Grip

Pneumatic Screwdrivers

**flexPower**  
by mountz

## KEY FEATURES

Various models that range from 2.6 - 156.2 lbf.in.

High performance oil free motor delivers environmentally friendly, durable, power and speed. One third more power than competitive models.

Safe operation with reduced noise, vibration and low torque reaction.

High accuracy patented clutch with precision automatic shut-off.

Soft texture ergonomic grip for operator comfort.

One-touch torque adjustment, eliminates difficult set up of drivers. Torque nut cover prevents operator tampering.

Built with new aluminum alloy to provide durability and reduced maintenance - no cracking, fading or chipping found in composite body tools.

Wide ranges and RPM selections all for easy tool specifications based on application requirements.

Patented Multi-Air inlet selection (handle, back and top) provides versatility for hose connection depending on application. Provides flexible options for production set ups and space restrictions.



### MULTI-AIR SELECTION

3 locations to attach air hose:

- A** Handle
- B** Top
- C** Back



Model	Item #	Torque Ranges		RPM	Grip Dia.	Length	Drive Size	Weight lbs.	Noise dBa	Air Usage cfm	Min. Air Hose Bore	Fastening Capacity	
		lbf.in	N.m									Machine Screw Dia	Tapping Screw Dia
XP35P	360010	2.6 - 17.4	0.3 - 2	2200	1 1/4"	7"	1/4" F/Hex	1.3	74	9.9	5.0 mm	M2.2 - M4.5	M1.7 - M3.5
XP41P	360011	4.3 - 30.4	0.5 - 3.4	1000	1 1/4"	7"	1/4" F/Hex	1.3	74	9.9	5.0 mm	M2.8 - M5.2	M2.2 - M4.2
XP48P	360012	6.1 - 43.4	0.7 - 4.9	1700	1 1/2"	8 1/2"	1/4" F/Hex	2.3	78	19.4	8.0 mm	M3.6 - M6.3	M2.8 - M5.3
XP55P	360013	10.4 - 65.1	1.2 - 7.4	1000	1 1/2"	8 1/2"	1/4" F/Hex	2.3	78	19.4	8.0 mm	M3.8 - M6.9	M3.0 - M5.9
XP65P	360014	26 - 156.2	2.9 - 17.6	300	1 1/2"	8 1/2"	1/4" F/Hex	2.3	78	19.4	8.0 mm	M5.0 - M9.3	M4.0 - M7.2

[etorque.com](http://etorque.com)

ISO 9001 and ISO 17025 Company

PISTOL GRIP

1.2

# Right Angle

Pneumatic Screwdrivers

**flexPower**

by mountz

## KEY FEATURES

Various models that range from 2.6 - 95.5 lbf.in.

High performance oil free motor delivers environmentally friendly, durable, power and speed. One third more power than competitive models.

Safe operation with reduced noise, vibration and low torque reaction.

High accuracy patented clutch with precision automatic shut-off.

Soft texture ergonomic grip for operator comfort.

One-touch torque adjustment, eliminates difficult set up of drivers. Torque nut cover prevents operator tampering.

Four different colored tool bands allow color coding of specific torque values (Red, Green, Blue, Yellow as standard are included)

Built with new aluminum alloy to provide durability and reduced maintenance - no cracking, fading or chipping found in composite body tools.

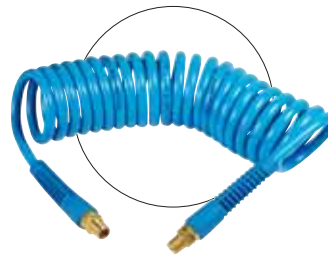
Wide ranges and RPM selections all for easy tool specification based on application requirements.

Model	Item #	Torque Ranges		RPM	Grip Dia.	Length	Drive Size	Weight lbs.	Noise dBa	Air Usage cfm	Min. Air Hose Bore	Fastening Capacity	
		lbf.in	N.m									Machine Screw Dia	Tapping Screw Dia
XP35A	360015	2.6 - 17.4	0.3 - 2	2200	1 1/4"	11 1/4"	1/4" F/Hex	1.75	72	8.5	5.0 mm	M2.2 - M4.5	M1.7 - M3.5
XP40A	360016	4.3 - 30.4	0.5 - 3.4	1000	1 1/4"	11 1/4"	1/4" F/Hex	1.75	72	8.5	5.0 mm	M2.8 - M5.2	M2.2 - M4.2
XP48A	360017	4.3 - 39.1	0.5 - 4.4	1700	1 1/2"	13 1/4"	1/4" F/Hex	3.25	76	15.9	8.0 mm	M3.6 - M6.3	M2.8 - M5.3
XP55A	360018	10.4 - 65.1	1.2 - 7.4	1000	1 1/2"	13 1/4"	1/4" F/Hex	3.25	76	15.9	8.0 mm	M3.8 - M6.9	M3.0 - M5.9
XP60A	360019	26 - 95.5	2.9 - 10.8	550	1 1/2"	13 1/4"	1/4" F/Hex	3.25	76	15.9	8.0 mm	M5.0 - M7.8	M4.0 - M6.3



### COLOR CODE RINGS

Four different colored tool bands allow color coding of specific torque values (Red, Green, Blue, Yellow are included)



### COIL AIR HOSE

Dual swivel hose fittings provide 360° rotation.

# EZ-TorQ

## Torque Analyzer

Torque  
Analyzers



### KEY FEATURES

Accuracy  $\pm 0.5\%$  of reading from 20% to 100% of full scale.  
Accuracy  $\pm 1\%$  of reading from 10% to 20% of full scale.

Recommended for small hand tools and non-impacting power tools.

Features a built-in transducer and graphic display.

Selection of two operating modes: Track and Peak.

Four units of torque measurement available:  
lbf.in, cN.m, N.m, kgf.cm.

Switchable 110V and 220V.

Four-digit display.

Torque Analyzer operational in English, Spanish, French, German, Italian, and Chinese.

Selectable filters to eliminate unwanted "noise":  
500Hz, 1000Hz, 1500Hz, 3000Hz.

RS-232 interface to download readings in "real time".

"Flash" memory allows upgrades to be done by the user or via the Internet.

Includes three PC Windows based software programs:  
**EZ Terminal** - for updating firmware, selecting torque direction and changing languages

**EZ Calibration** - for multipoint calibrations

**Data Acquisition** - collecting and analyzing data with Microsoft Excel®

Includes a Spring Run Down Adapter.

Includes a Case, RS-232 cable, Universal Charger, and 1/4" Female/Hex Square Drive Adapter.

Two methods of calibration: a single point calibration (using a manual pot adjustment), and a multipoint calibration using EZ Calibration software.

Dimensions: (L x W x H) 7 1/4" x 4 1/3" x 2"



### NOTE!

Since a tester cannot always duplicate actual joint characteristics, the torque reading displayed on the EZ-TorQ may vary from the actual torque that a tool will apply to a joint. A run down adapter that simulates a variety of different joint characteristics is provided with the EZ-TorQ. When critical assemblies are involved, the torque output of the power tool being used should be verified on the actual assembly using a calibrated measuring torque tool.



### CERTIFIED

Supplied with NIST-Traceable Certification of Calibration

### Torque Ranges

Model	Item #	lbf.in	cN.m	kgf.cm	Drive Size	Weight
EZ-TorQ 10i	070500	1 - 10	11.3 - 113	1.2 - 11.5	17mm Female/Hex*	4.5 lbs.
EZ-TorQ 50i	070505	5 - 50	56.5 - 565	5.8 - 57.6	17mm Female/Hex*	4.5 lbs.
EZ-TorQ 100i	070510	10 - 100	113 - 1130	11.5 - 115	17mm Female/Hex*	4.5 lbs.
EZ-TorQ 150i	070515	15 - 150	169.5 - 1695	17.3 - 173	17mm Female/Hex*	4.5 lbs.

\* This unit includes a 1/4" Female/Hex Square Drive Adapter that slides into the socket. Also, a Spring Run Down Adapter for dynamic power tools.



### ACCESSORIES

#### SCREW RUN DOWN ADAPTERS

Item #	Model	American	Metric	Quantity
600728-1*	RDA	2 - 56	M2x.4	5
600728-2*	RDA	4 - 40	M3x.5	5
600728-3*	RDA	6 - 32	M4x.7	5
600728-4*	RDA	8 - 32	M5x.8	5
600734-18*	RDA	5/16 - 18	-	5
600734-20*	RDA	1/4 - 20	-	5

\* Hardware Kit # 1 for these RDA units (includes Washer and Screws), Item # 061237.

See EZ-TorQ manual for a list of items that are included in the Hardware Kit.



### ACCESSORIES

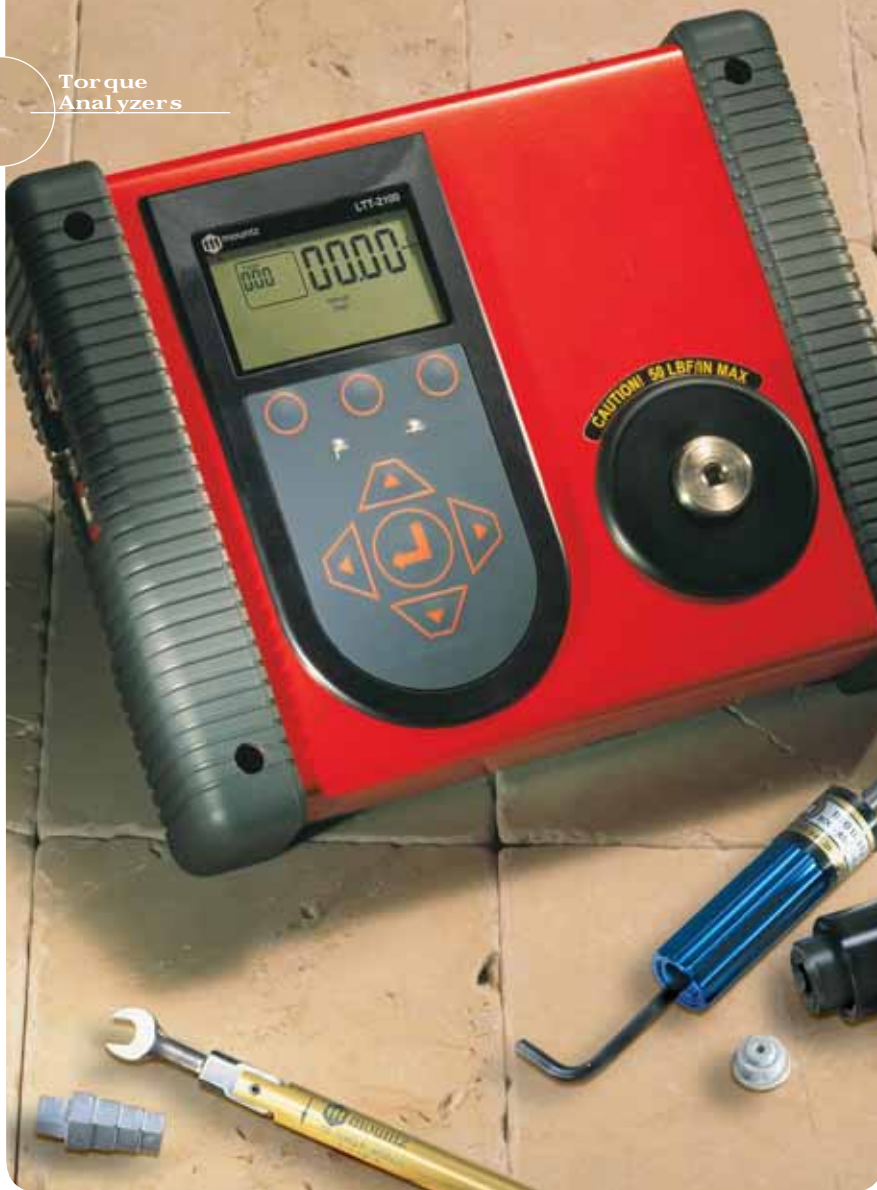
Item #	Description
770055	Charger
708003	Battery Pack
14-501830	Brush Cap
773855	RS-232 Cable
600727	1/4" Female/Hex Square Drive Adapter (17mm F/Hex)
600729	Case (Pictured Above)

RoHS CE

etorque.com

ISO 9001 and ISO 17025 Company

EZ-TorQ  
1.4



# TorqueLab®

## LTT Series

Torque, Angle & Force Analyzer  
with ARCII Technology

### KEY FEATURES

Accuracy ± 0.5% of reading from 20% to 100% of full scale.  
Accuracy ± 1% of reading from 10% to 20% of full scale.

Recommended for all hand screwdrivers, wrenches, or power tools.

Features a built-in transducer and can connect to an external transducer.

Provides "EZ-Plug & Play" with Mountz Transducers. Features "ARCII" technology, an instant auto-recognition system of the transducer connected to the LTT.

Selection of six operation modes:  
Track, Peak, First Peak, Audit, Spindle Audit, and Torque + Angle

Seven units of torque measurements:  
ozf.in, lbf.in, lbf.ft, cN.m, N.m, kgf.m, kgf.cm

Two units of force measurement: lbf and kN

Features built-in Tool Tests operation.

Includes three PC Windows based software programs:

**Mountz Torque Meter Interface Program**

for sensor calibrations, meter calibration and tool tests.

**Torque Meter Bootloader**

for updating the LTT operating systems.

**Excel Add-In**

for Real-Time data collection into an Excel spreadsheet.  
It provides statistics calculations.

"Flash" memory allows upgrades to be done by the user in the field & internet through the USB port.

Five low-pass filters: 3000, 2000, 1500, 500, and 200Hz

Six-digit display and easy to read menu structure.

Real Time Clock for time stamping of readings.

USB interface to download readings to PC.

High Capacity Li-ion Batteries for long life (30 hours with standard transducers and 16 hours with brushless rotary).

Can connect to most mv/v transducers and can store calibration data for up to 50 non-smart torque sensors.

The 5VDC capability allows unit to be used with a Brushless Rotary Transducer for testing pulse tools and high RPM tools.

Torque and Angle data is displayed simultaneously when used with Torque and Angle transducers, up to 8000 RPM for angle measurement.

Stores a total of 5000 data points.

Real time graph of torque vs. time using associated PC Windows software.

Features Go / No Go LEDs that illuminate when high or low setting is achieved.



**NOTE!**

Since a tester cannot always duplicate actual joint characteristics, the torque reading displayed on the LTT may vary from the actual torque that a tool will apply to a joint. When critical assemblies are involved, the torque output of the power tool being used should be verified on the actual assembly using a calibrated measuring torque tool.



**CERTIFIED**

Supplied with NIST-Traceable Certification of Calibration

Model	Item #	Torque Ranges			Drive Size	Wt.
		American	S.I.	Metric		
LTT10i	068400	1 - 10 lbf.in	11.3 - 113 cN.m	1.2 - 11.5 kgf.cm	1/4" F/Sq	8 lbs.
LTT25i	068401	2.5 - 25 lbf.in	28.25 - 282.5 cN.m	2.9 - 28.8 kgf.cm	1/4" F/Sq	8 lbs.
LTT50i	068402	5 - 50 lbf.in	56.5 - 565 cN.m	5.8 - 57.6 kgf.cm	1/4" F/Sq	8 lbs.
LTT100i	068403	10 - 100 lbf.in	113 - 1130 cN.m	11.5 - 115 kgf.cm	1/4" F/Sq	8 lbs.
LTT250i	068404	25 - 250 lbf.in	282.5 - 2825 cN.m	28.8 - 288 kgf.cm	1/4" F/Sq	8 lbs.
LTT50F	068405	5 - 50 lbf.ft	6.8 - 67.8 N.m	0.7 - 6.9 kgf.m	3/8" F/Sq	8 lbs.
LTT100F	068406	10 - 100 lbf.ft	13.56 - 135.6 N.m	1.4 - 13.8 kgf.m	1/2" F/Sq	8 lbs.
LTT250F	068407	25 - 250 lbf.ft	33.9 - 339 N.m	3.5 - 34.5 kgf.m	1/2" F/Sq	8 lbs.

**CABLE CHART**

Transducer	Cable Item #
RTSX-A	072000
All BLRTSX models	072001
BMX	072002
LPX	072003
SDX	072004
RTSX	072005
ETX	072006

**ACCESSORIES INCLUDED**

- Universal Charger (100 - 240VAC)
- USB Cable
- Mountz Software Programs
- Run Down Adapter Case

**ACCESSORIES OPTIONAL**

Description	Item #
Charger 100 - 240VAC	770300
USB Cable	770319
Battery Pack	072506
Multiplexer	072998
Bar Code Reader	072997
Mounting Bracket (for LTT model 10i-50F)	072608
Mounting Bracket (for all other LTT models)	072606
PLC Interface	072014



# EZ-Glider

## Linear Torque Arms

### KEY FEATURES

- Prevents cross threading and side load. Keeps tool perpendicular.
- Reduces RMI (Repetitive Motion Injury) and CTS (Carpal Tunnel Syndrome) while boosting production.
- Extends in horizontal direction and arm length is adjustable.
- Maneuvers smoothly as the arm absorbs torque reactions from electric & pneumatic tools.
- Built with seasoned craftsmanship, every torque arm cylinder has four rows of ball bearings for smooth movement.
- A magnet on the backside of the tool clamp holds driver firmly against arm.
- Includes an in-line driver clamp.

### LINEAR TORQUE ARMS

Model	Item #	Max Torque		Clamp Dia.	Height	Min Arm Reach	Max Arm Reach	Balancer Capacity
		American	S.I.					
EZ-12	260077	8.8 lbf.ft	12 N.m	1-1 1/2"	32 1/2"	16 1/2"	22"	1.1 - 2.6 lbs.
EZ-25	260078	18.4 lbf.ft	25 N.m	1-2"	36 1/2"	16 1/3"	22"	2.2 - 4.8 lbs.
EZ-40	260079	29.5 lbf.ft	40 N.m	1-2"	40 1/2"	21 7/8"	29 1/2"	3.1 - 4.8 lbs.
EZ-100	260080	73.7 lbf.ft	100 N.m	1-2"	40 1/2"	25 1/3"	33"	4.4 - 7.7 lbs.

### NOTE!

An additional balancer (**Item #260152**) can be added to the EZ-40 & EZ-100 model to increase balancer capacity. The additional balancer increases the dual balancer capacity to 5.3 - 8.8 for the EZ-40, and 6.6 - 13.2 for the EZ-100.

Driver & Transformer not included.



Servo-Assisted System

### DOWNWARD ASSISTANCE KIT

These kits are ideal for self-tapping applications. The downward assistance system requires no effort from the operator to press downward on the driver as the operator simply presses the trigger of the driver and the cylinder glides the tool downward automatically. There are two system options available "Easy Push" and "Servo-Assisted".

Servo-Assisted system features a built in collet chuck that allows the system to be used at any height.

Easy Push system operates only at a preset height by using a mechanical stop that is set along the pole.

Both systems can be installed on a Linear or Articulated arm.

Model	Description	Item #	Pushing Force	Stroke
EZ-12	Servo-Assisted Electric Kit	260098	11 lbs.	-
EZ-25	Servo-Assisted Electric Kit	260099	17.6 lbs.	-
EZ-40/100	Servo-Assisted Electric Kit	260100	17.6 lbs.	-
EZ-12	Easy Push Electric Kit	260043	11 lbs.	4 7/8"
EZ-25	Easy Push Electric Kit	260041	19.8 lbs.	6 1/4"
EZ-40/100	Easy Push Electric Kit	260040	19.8 lbs.	7 7/8"
EZ-40/100	Easy Push Electric Kit	260039	33 lbs.	7 7/8"
EZ-100	Easy Push Electric Kit	260038	55 lbs.	7 7/8"

### ACCESSORIES

#### EXTENSION SLIDES

Expands the maximum arm reach of the EZ-Glider Linear Arms.

Model	Extends Max.	
	Arm Reach	Item #
EZ-12	27.5"	260088
EZ-25	27.5"	260089
EZ-40	36"	260090
EZ-100	41"	260091



#### EXTENSION DOUBLE SLIDE

Expands the maximum arm reach of the EZ-Glider Linear Arms by adding a second slide to the arm.

Model	Extends Max.	
	Arm Reach	Item #
EZ-12	31.5"	260092
EZ-25	30.5"	260093
EZ-40	41"	260094
EZ-100	46"	260095

#### ARP SYSTEM (not pictured)

ARP (automatic rest position): A recoil spring positioned on the slide to permit the arm to come back to the rest position as soon as you release it.

Model	Item #
EZ-12	260096
EZ-25	260097
EZ-40	260097
EZ-100	-



#### ANTI-ROTATING CLAMP

Attach an "Anti-Rotating" Clamp to prevent the arm from rotating side-to-side to help the operator target the screw quickly and precisely.

for EZ-12 & 25 Linear Arms  
Item #260019

for EZ-40 & 100 Linear Arms  
Item #260022



# EZ-Slider

## Sliding Torque Arms

### KEY FEATURES

An ideal ergonomic solution for multi-tool applications such as a moving production and assembly line. Ideal for automotive production lines.

Maintenance Free.

Arm is crafted with a lightweight durable carbon fiber.

Easy to install and improves operator comfort and productivity.

Requires little space and doesn't disrupt production flow.

Mountable with a standard rail system, trolley, aluminum extrusion, wall or existing work station.

Eliminates torque reaction of power tools. Can be used with a variety of assembly tools like angle nutrunners and electric & pneumatic screwdrivers.

Arm slides up and down and provides X & Y axis mobility.

### EZ-SLIDER TORQUE ARMS

Model	Item #	Max Torque		Clamp Dia.	Max Vertical Stroke	Balancer Capacity
		lbf.ft	N.m			
EZ-Slider 8	260101	5.9	8	*	17 3/4"	4.4 - 6.6 lbs.
EZ-Slider 15	260102	11	15	*	17 3/4"	4.4 - 6.6 lbs.
EZ-Slider 40	260129	29.5	40	1 - 2"	16 1/2"	13.2 - 17.6 lbs.
EZ-Slider 80	260130	59	80	1 - 2"	16 1/2"	17.6 - 22 lbs.

\* The EZ-Slider 8 & 15 comes with a standard 3/8" air fitting. An electric tool clamp is sold separately.

### ACCESSORIES

#### GLIDING RAIL SYSTEM

EZ-Slider arm slides up and down. "Gliding Rail System" allows the EZ-Slider arm to glide horizontally (side-to-side) on a production floor. Combine these two items and get the "Slide & Glide" movement. The Gliding Rail System can mount to a standard rail system, wall, aluminum extrusion or existing overhead system and is available in a variety of lengths. The EZ-Slider mounts on to the "Carriage". Each Gliding Rail System includes one Carriage.



Model	Working Distance/Item #					
	450mm	650mm	850mm	1050mm	1350mm	1850mm
<b>Standard Gliding Rail System</b> (for EZ-Slider 8, 15 & 40)	#260103	#260104	#260105	#260106	#260107	#260108
<b>High Torque Gliding Rail System</b> (for EZ-Slider 80)	#260131	#260132	#260133	#260134		



#### CARRIAGE (Only for Standard Gliding Rail System)

Additional Carriages can be purchased separately and added only to the Standard Gliding Rail System, which allows for multiple Slider Arms to be used freely on a rail system. A Thrust Stopper should be placed between each carriage.

Item #260109



#### BALANCER CARRIAGE

Features a hook for mounting a tool balancer. It can only be mounted to the Standard Gliding Rail System.

Item #260042



#### THRUST STOPPER

When having multiple carriages mounted to the Standard Gliding Rail System, it's recommended to place a Thrust Stopper between each carriage.

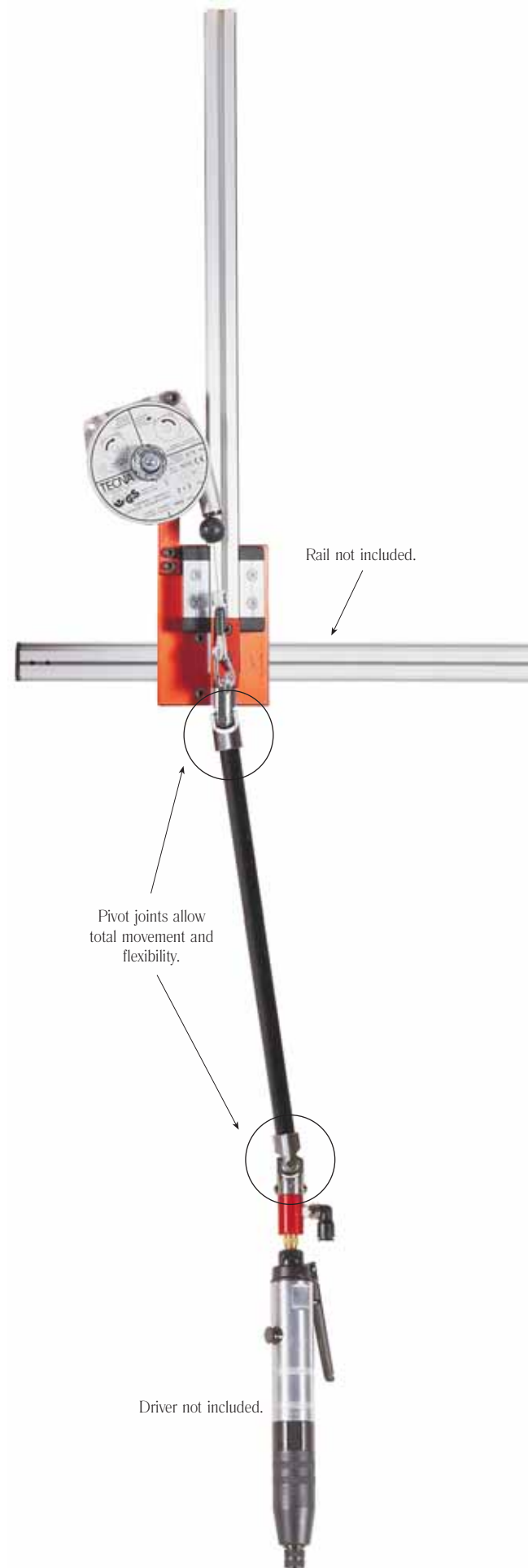
Item #260044



#### TOOL CLAMP FOR ELECTRIC DRIVERS

Model	Item #	Clamp Dia.
EZ-Slider 8	260110	1 - 2"
EZ-Slider 15	260111	1 - 2"

\*Clamps for VZ & VB-Series models ONLY.



# EZ-Glider

## Articulated Torque Arms

### KEY FEATURES

Prevents cross threading and side load. Keeps tool perpendicular.

Reduces RMI (Repetitive Motion Injury) and CTS (Carpal Tunnel Syndrome) while boosting production.

With the ability to bend like an elbow, the torque arm provides agility to position the tool in a variety of positions for different applications. Arm can be set at an inclination of 0°, 22.5° & 45°.

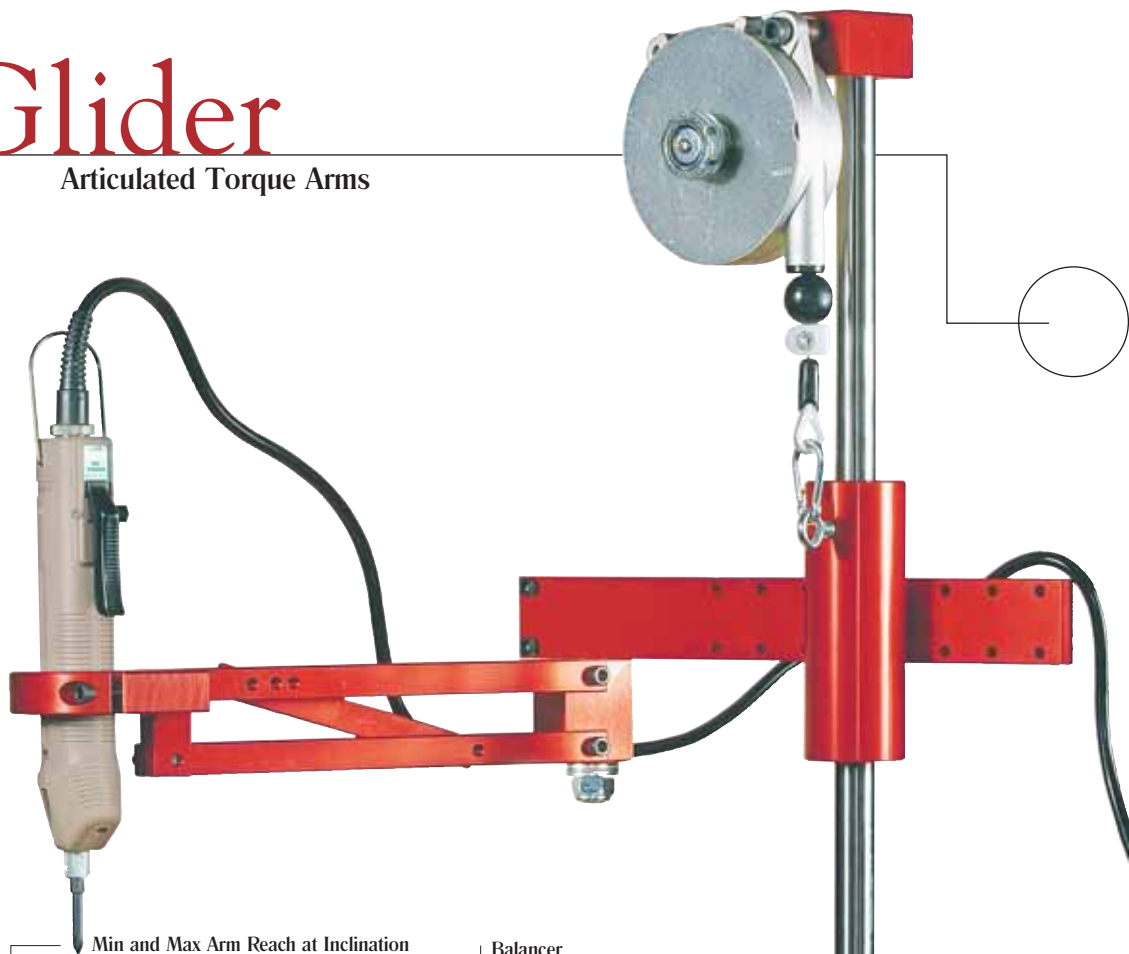
Provides smooth flexible range as the arm absorbs torque reactions from electric & pneumatic screwdrivers, angle nut runners, pulse tools, pistol grip style tools, grinders & drills.

Arm length is adjustable.

Includes an in-line driver clamp.

Versatile torque arm works with a variety of tools, using different tool clamp options: angle drivers, pistol grip drivers & in-line drivers.

Driver & Transformer not included.



### ARTICULATED TORQUE ARMS

Model	Item #	Max Torque		Height	Min and Max Arm Reach at Inclination			Balancer Capacity
		American	S.I.		0°	22.5°	45°	
EZ-12R	260081	8.8 lbf.ft	12 N.m	32 1/2"	15 1/8" - 21"	14 1/2" - 20"	12 1/3" - 18"	1.1 - 2.6 lbs.
EZ-25R	260082	18.4 lbf.ft	25 N.m	36 1/2"	15 1/2" - 21 1/2"	15" - 20 1/2"	12 7/8" - 18 1/2"	2.2 - 4.8 lbs.
EZ-40R	260083	29.5 lbf.ft	40 N.m	40 1/2"	22 1/4" - 30"	21 1/8" - 29"	18 1/8" - 26"	3.1 - 4.8 lbs.
EZ-100R	260084	73.7 lbf.ft	100 N.m	40 1/2"	26 1/3" - 34"	25 1/8" - 33"	22" - 29 1/2"	4.4 - 7.7 lbs.

### NOTE!

An additional balancer (**Item #260152**) can be added to the EZ-40R & EZ-100R model to increase balancer capacity. The additional balancer increases the dual balancer capacity to 5.3 - 8.8 for the EZ-40R, and 6.6 - 13.2 for the EZ-100R.

### ACCESSORIES

An in-line driver clamp is included with the torque arm. Other clamp options are available and sold separately.



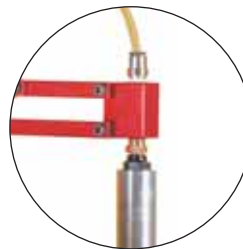
Rotating Clamp



Pistol Grip Clamp



Angle Driver Clamp



Nipple Clamp

Description	For Model: EZ-12R		For Models: EZ-25R & 40R		For Model: EZ-100R	
	Clamp Dia.	Item #	Clamp Dia.	Item #	Clamp Dia.	Item #
Rotating Clamp	1" - 1.5"	260027	1" - 2"	260030	-	-
Pistol Grip Clamp	1" - 1.5"	260008	1" - 2"	260031	-	-
Angle Driver Clamp	1" - 1.5"	260028	1" - 2"	260032	1" - 2"	260061
Nipple Clamp	*	260007	-	-	-	-

\* Nipple clamp includes 1/4" and 1/8" - hose exhaust 8mm.



# EZ-Glider

## Telescoping Torque Arms



Driver not included.

### KEY FEATURES

- Crafted with lightweight durable carbon fiber the arm collapses like a telescope.
- Easy-to-use, requires little space and doesn't disrupt production flow.
- The effortless handling of the torque arm provides comfortable tool operation and increased production.
- Mountable and easy to install on a wall, workbench and a standard rail or trolley system.
- Maintenance free.
- Eliminates torque reaction of power tools. Can be used with a variety assembly tools like, electric & pneumatic screwdrivers, angle nutrunners, pulse tools, pistol style tools, grinders, impact wrenches, drills, sanders, and percussion tools.
- Long arm reach capability up to 8 ft.
- Perfect for MVI applications.
- Universal Adapter included with EZ-12T, 30T, 80T & 140T models.
- Torque capacity up to 147.5 lbf.ft (200 N.m).

### MOUNTING TO THE "STANDARD GLIDING RAIL SYSTEM"

The Telescoping Torque Arms can be mounted to the Standard Gliding Rail System (sold separately) and can be used in a variety of positions. For a vertical position it is necessary to install one additional item, an interface bracket (sold separately).



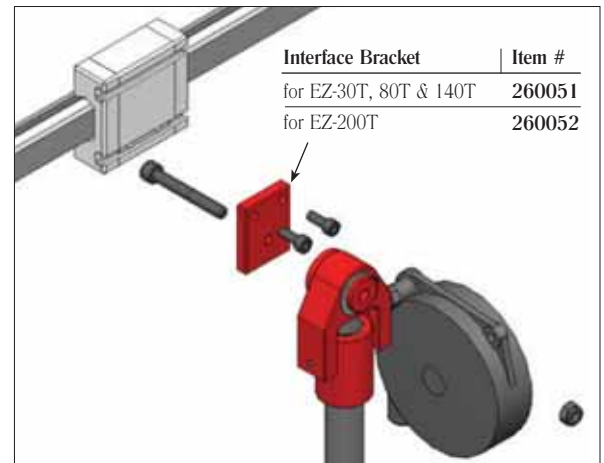
Standard Gliding Rail System	Working Distance/Item #					
	450mm	650mm	850mm	1050mm	1350mm	1850mm
	#260103	#260104	#260105	#260106	#260107	#260108

### SLEEVE KIT (ACCESSORY)

Item # 260150

Connect Standard Gliding Rail System together.

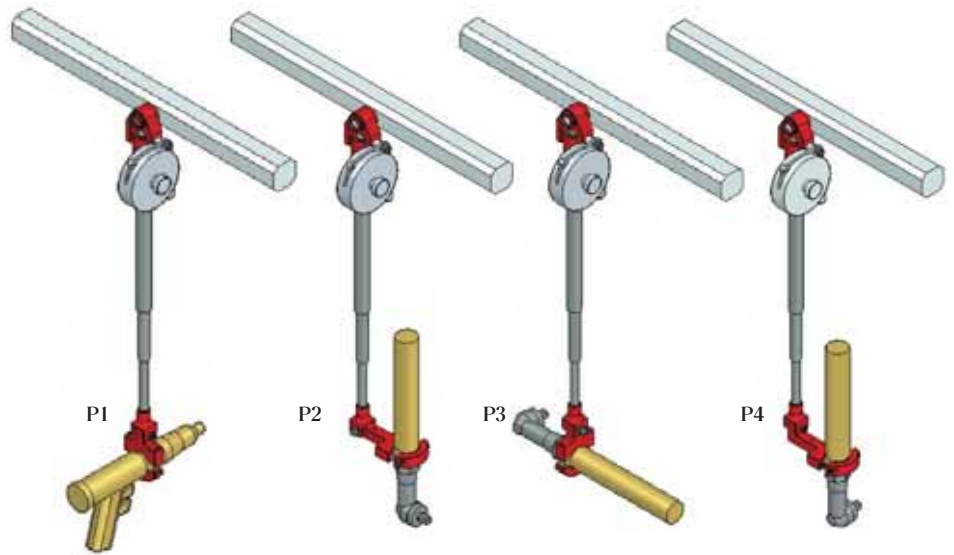
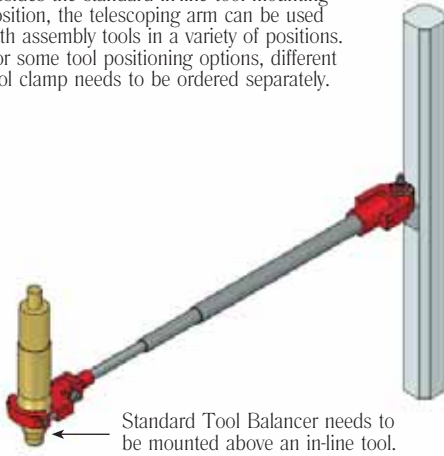
### INTERFACE BRACKET



Interface Bracket	Item #
for EZ-30T, 80T & 140T	260051
for EZ-200T	260052

## TOOL POSITIONING OPTIONS

Besides the standard in-line tool mounting position, the telescoping arm can be used with assembly tools in a variety of positions. For some tool positioning options, different tool clamp needs to be ordered separately.



## TELESCOPING TORQUE ARMS

Model	Item #	Max. Torque		Clamp Dia.	Min Arm Reach	Max Arm Reach	Weight of Arm	Tool Position Options			
		lbft.ft	N.m					P1	P2	P3	P4
EZ-12T	260075	8.8	12	1 - 1.5"	18.1"	37"	1.35 lbs.	Yes	No	No	No
EZ-12T/1500	260115	8.8	12	1 - 1.5"	25.6"	59"	2.7 lbs.	Yes	No	No	No
EZ-12T/2000	260116	8.8	12	1 - 1.5"	32.3"	78.7"	3.3 lbs.	Yes	No	No	No
EZ-30T	260076	22.1	30	1 - 2"	18.7"	37.5"	1.5 lbs.	Yes	Yes, Order Clamp #260145	Yes, Order Clamp #260144	Yes, Order Clamp #260146
EZ-30T/1500	260117	22.1	30	1 - 2"	25.8"	59"	3.3 lbs.	Yes	Yes, Order Clamp #260145	Yes, Order Clamp #260144	Yes, Order Clamp #260146
EZ-30T/2000	260118	22.1	30	1 - 2"	32.4"	78.7"	4 lbs.	Yes	Yes, Order Clamp #260145	Yes, Order Clamp #260144	Yes, Order Clamp #260146
EZ-30T/2500	260119	22.1	30	1 - 2"	39.1"	98.4"	4.4 lbs.	Yes	Yes, Order Clamp #260145	Yes, Order Clamp #260144	Yes, Order Clamp #260146

## HIGH TORQUE TELESCOPING ARMS

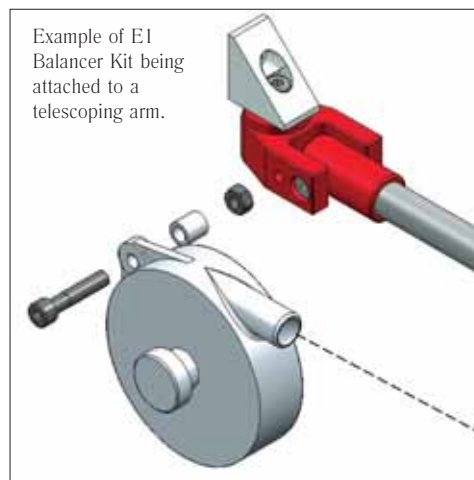
Model	Item #	Max. Torque		Clamp Dia.	Min Arm Reach	Max Arm Reach	Weight of Arm	Tool Position Options			
		lbft.ft	N.m					P1	P2	P3	P4
EZ-80T/1500	260120	59	80	1 - 2"	28.1"	59"	6.6 lbs.	Yes	Yes	Yes	Yes, Order Clamp #260148
EZ-80T/2000	260121	59	80	1 - 2"	34.6"	78.7"	7.1 lbs.	Yes	Yes	Yes	Yes, Order Clamp #260148
EZ-80T/2500	260122	59	80	1 - 2"	41.3"	98.4"	7.7 lbs.	Yes	Yes	Yes	Yes, Order Clamp #260148
EZ-140T/1500	260123	103.3	140	1.25 - 2"	36.5"	59"	7.7 lbs.	Yes	Yes	Yes	Yes, Order Clamp #260148
EZ-140T/2000	260124	103.3	140	1.25 - 2"	46.4"	78.7"	8.4 lbs.	Yes	Yes	Yes	Yes, Order Clamp #260148
EZ-140T/2500	260125	103.3	140	1.25 - 2"	56.2"	98.4"	8.8 lbs.	Yes	Yes	Yes	Yes, Order Clamp #260148
EZ-200T/1500	260126	147.5	200	*	37.4"	59"	7.7 lbs.	Yes	Yes	Yes	Yes, Order Clamp #260149
EZ-200T/2000	260127	147.5	200	*	47.2"	78.7"	8.4 lbs.	Yes	Yes	Yes	Yes, Order Clamp #260149
EZ-200T/2500	260128	147.5	200	*	57.1"	98.4"	8.8 lbs.	Yes	Yes	Yes	Yes, Order Clamp #260149

\* Customer must provide information (Brand & Model) on each tool being used with the arm. The clamp is custom made to fit the tool being used.

## BALANCING KIT FOR VERTICAL MOUNTING

A balancing kit can be mounted on the side of any of telescoping arm. It allows the arm to be used with pistol grip tools and angle nutrunners (see tool position options above for using angle nutrunners with arms).

Model	Item #	Balancer Capacity	Stroke
E1	260140	2.2 - 4.4 lbs.	63"
E2	260141	2.2 - 5.5 lbs.	78.75"
E3	260142	4.4 - 8.8 lbs.	78.75"
E4	260143	8.8 - 13.2 lbs.	78.75"



Example of E1 Balancer Kit being attached to a telescoping arm.



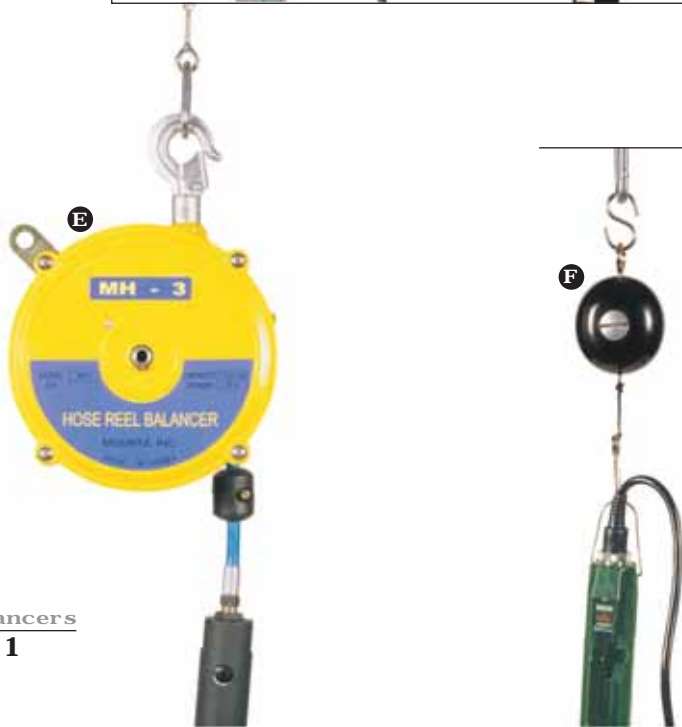
### NOTE!

It is recommended to use a tool balancer with all EZ-Glider Telescoping Arm models. The telescoping arms should not be used at maximum arm reach on a permanent basis.



# Balancers

These durable, compact balancers provide easy handling for operators that work with tools for long, continuous hours. The balancers allow tools to be positioned over the work station for comfortable operation and can be used with pneumatic, electric or hydraulic tools.



## ZERO GRAVITY BALANCERS

Provides gravity defying - "true balance".

Compact & robust.

Easy external tensioning adjustment.

360° top swivel.

No tension build-up to cause worker fatigue.

Aircraft stranded steel cable.

Provision for safety cable.

Permanent lubrication (for MZ-6 through MZ-264 models).

Safety lock (for MZ-33 through MZ-264 models).

Model	Item #	Stroke		Weight Capacity		Weight lbs.
		in.	m.	lbs.	kg.	
MZ-3A	180500	19	0.5	1.1 - 3.3	0.5 - 1.5	0.5
<b>A</b> MZ-3B	180501	39	1	1.1 - 3.3	0.5 - 1.5	1.1
MZ-6	180502	51	1.3	2.2 - 6.6	1 - 3	3
MZ-11	180503	51	1.3	5.5 - 11	2.5 - 5	3.3
MZ-20	180504	51	1.3	10 - 20	4.5 - 9	7.5
<b>B</b> MZ-33	180505	51	1.3	19.8 - 33	9 - 15	8.4
MZ-48	180506	59	1.5	33 - 48.4	15 - 22	15.9
MZ-66	180507	59	1.5	48 - 66	22 - 30	16.8
MZ-88	180508	59	1.5	66 - 88	30 - 40	21.6
MZ-110	180509	59	1.5	88 - 110	40 - 50	23
MZ-132	180510	59	1.5	110 - 132	50 - 60	25.6
MZ-154	180511	59	1.5	132 - 154	60 - 70	26
MZ-198	180532	82	2.1	154 - 198	70 - 90	53
MZ-231	180533	82	2.1	187 - 231	85 - 105	57.3
MZ-264	180534	82	2.1	220 - 264	100 - 200	59.5

## RETRACTOR BALANCERS

Lightweight & compact.

Easy to adjust tension by using handle.

Adjustable cable stop.

360° top swivel.

Provision for safety cable.

Model	Item #	Stroke		Weight Capacity		Weight lbs.
		in.	m.	lbs.	kg.	
<b>C</b> MJ-3	180521	59	1.5	1.1 - 3.3	0.5 - 1.5	0.7
MR-3	180515	79	2	1.1 - 3.3	0.5 - 1.5	1.1
<b>D</b> MR-6	180516	79	2	2.2 - 6.6	1 - 3	1.5
MR-11	180517	79	2	5.5 - 11	2.5 - 5	2

## HOSE REEL BALANCERS

Designed for small pneumatic tools.

Integrating air hose & support cable keep work area clean.

Easy to adjust tension by using handle.

Provision for safety cable.

1/4" NPT Connector.

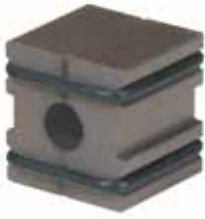
Model	Item #	Stroke		Weight Capacity		Weight lbs.
		in.	m.	lbs.	kg.	
<b>E</b> MH-3	180512	51	1.3	1.1 - 3.3	0.5 - 1.5	1.1
MH-6	180513	51	1.3	2.2 - 6.6	1 - 3	2.2
MH-11	180514	51	1.3	5.5 - 11	2.5 - 5	2.9

## TOOL POSITIONER BALANCER

Lightweight & small.

Tool will remain at whatever level or position left in.

Model	Item #	Stroke		Weight Capacity		Weight lbs.
		in.	m.	lbs.	kg.	
<b>F</b> Mini 31	180029	60	1.5	1 - 12	0.4 - 5.6	.75



### MAGNETIZER / DEMAGNETIZER

Magnetize or demagnetize bits and parts instantly.

Item #120815



### TOOL STAND

A rugged adjustable tool support stand. Prevent tool damage due to dropping or mishandling. Convenient tool positioning - adjust both vertically and horizontally. Electric tool cords can be tie-wrapped to the vertical base to keep work station clean. 360 degree swivel. Four foot high, maximum arm length 1.75 feet. A balancer is recommended.

Model: MT-10  
Item #060050

### Pneumatic Center Block

Fitted with a pre-tapped plumbing holes. For attaching air fittings or air hose on MT-10 Tool Stand.

Item #061385



### BENCH CLAMP

Used to clamp MT-10 Tool Stand base to table tops. This handy unit eliminates hole drilling and secures the tool stand in place. It's flexible and ready to move at a moments notice.

Model: 311  
Item #180035

### MAG-O-NETS

Magnetize bits by sliding a Mag-O-Net onto the bit.

(actual size)



Desc.	Item #	Inner Dia.	Outer Dia.	Package Quantity	Use
for 3/16" Shank Bit	145710	3/16"	17.5mm	10	For most 0 & 00 bits
for 5mm Shank Bit	145711	6mm	17.5mm	10	Reduced Dia. Bits
for 1/4" Shank Bit	145712	7mm	19mm	10	Standard Bits

# Accessories

## Electric Torque Screwdrivers



### COIL AIR HOSE

Dual swivel hose fittings provide 360° rotation. Durable polyurethane hose - 8mm ID. Flexible, lightweight and good recoil memory. 1/4 NPT fitting. Burst pressure 426 PSI at 73° F

Length	Item #
6m	360030
10m	360031



### COUPLER

for Air Tool (Universal 1/4 female)

Item #360033



### FITTINGS

for Air Tool 1/4" Female (Milton type)

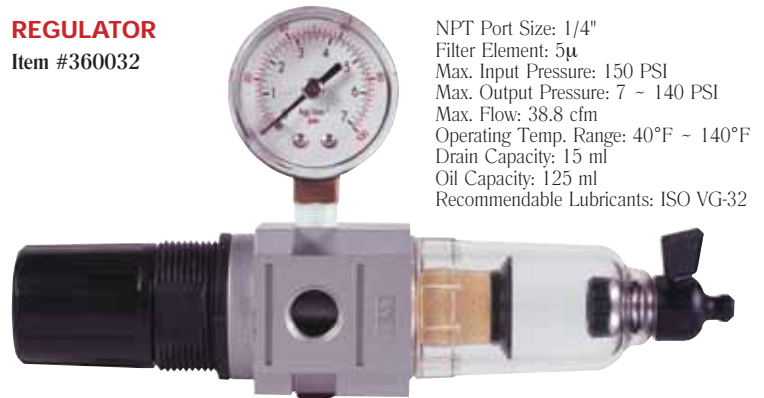
Item #360034

for Air Tool 1/4" Male (Milton type)

Item #360035

### REGULATOR

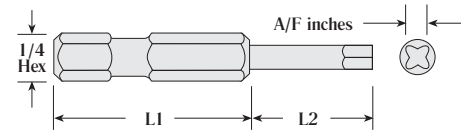
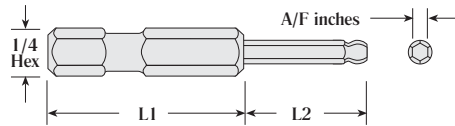
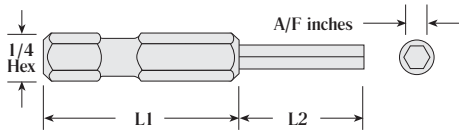
Item #360032



NPT Port Size: 1/4"  
Filter Element: 5µ  
Max. Input Pressure: 150 PSI  
Max. Output Pressure: 7 - 140 PSI  
Max. Flow: 38.8 cfm  
Operating Temp. Range: 40°F - 140°F  
Drain Capacity: 15 ml  
Oil Capacity: 125 ml  
Recommendable Lubricants: ISO VG-32

# Special Bits

When ordering special extended bits, we need the specific information below to provide a quote.



## HEX BITS or BLADES

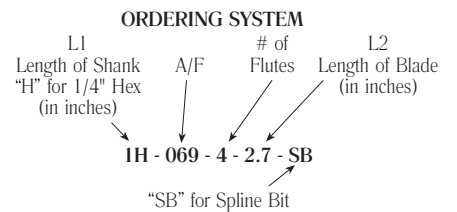
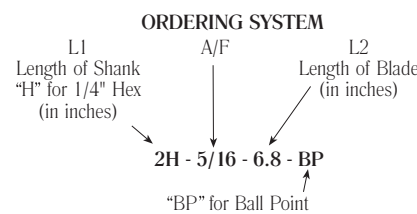
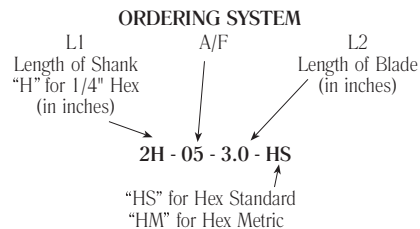
AMERICAN		METRIC	
A/F	L2 (max.)	A/F	L2 (max.)
.05"	3"	1.5mm	3 1/4"
1/16"	3 1/4"	2mm	4 3/4"
5/64"	3 1/2"	2.5mm	5 1/2"
3/32"	3 3/4"	3mm	7 1/4"
7/64"	7"	3.5mm	4 1/2"
1/8"	7 1/2"	4mm	8 1/4"
9/64"	8"	5mm	9 1/4"
5/32"	8 1/2"	6mm	10"
3/16"	9 1/4"	8mm	10 3/4"
1/4"	6"		
5/16"	7"		

## BALL POINT BITS or BLADES

AMERICAN		METRIC	
A/F	L2 (max.)	A/F	L2 (max.)
.05"	3"	1.5mm	3 1/4"
1/16"	3 1/4"	2mm	4 3/4"
5/64"	3 1/2"	2.5mm	5 1/2"
3/32"	3 3/4"	3mm	7 1/4"
7/64"	7"	3.5mm	4 1/2"
1/8"	7 1/2"	4mm	8 1/4"
9/64"	8"	5mm	9 1/4"
5/32"	8 1/2"	6mm	10"
3/16"	9 1/4"	8mm	10 3/4"
1/4"	6"		
5/16"	7"		

## SPLINE BITS or BLADES

A/F	L2 (max.)	Flutes
.048"	2.7"	4
.060"	2.7"	6
.069"	2.7"	6
.072"	2.7"	6
.076"	2.7"	6
.096"	2.7"	6
.1011"	2.7"	6
.145"	4.5"	6



### NOTE!

Bits in excess of 4" long are subject to "bowing".

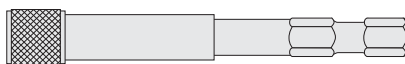
# Bit Holders

For use with ALL Drivers



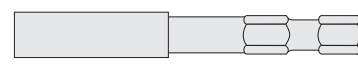
## SCREW CAP RETAINER (non-magnetic)

Length	Item #	Drive	Diameter	
			Body	Nose
2 7/16"	120258	1/4 Hex	3/8"	7/16"
4"	120301	1/4 Hex	3/8"	7/16"
6"	120302	1/4 Hex	3/8"	7/16"



## SCREW CAP RETAINER (magnetic)

Length	Item #	Drive	Diameter	
			Body	Nose
2 3/8"	120411	1/4 Hex	3/8"	7/16"
2 7/8"	120241	1/4 Hex	3/8"	7/16"
4"	120243	1/4 Hex	3/8"	7/16"
5"	120244	1/4 Hex	3/8"	7/16"
6"	120245	1/4 Hex	3/8"	7/16"
11"	120248	1/4 Hex	3/8"	7/16"



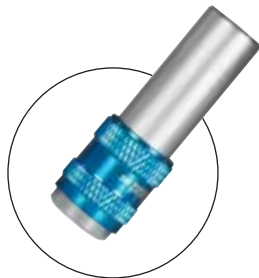
## C-RING RETAINER (magnetic)

Length	Item #	Drive	Body Dia.
2 1/8"	120999	1/4 Hex	3/8"
2 7/8"	120242	1/4 Hex	3/8"
4"	120470	1/4 Hex	3/8"
6"	120471	1/4 Hex	3/8"
11"	120472	1/4 Hex	3/8"

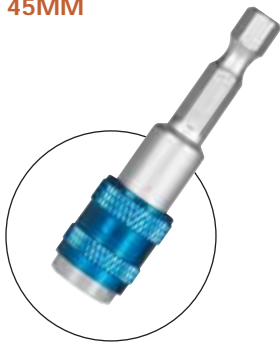


# Nutsetters

For use with ALL Drivers

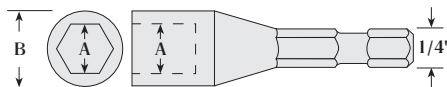


1/4" F/SQ. DR. to 1/4" F/HEX  
BIT HOLDER 45MM  
Item #125002



AUTOLOCK BIT HOLDER  
60MM (NON-MAGNETIC)  
Item #125001

AUTOLOCK BIT HOLDER  
60MM (MAGNETIC)  
Item #125006



## MAGNETIC

Hex Size "A"	Item #	Overall Length	Socket Body Diameter "B"
3/16"	128806	2"	5/16"
1/4"	120430	1 5/8"	7/16"
1/4"	120743	2 9/16"	7/16"
1/4"	121037	4"	7/16"
1/4"	120970	6"	7/16"
5/16"	120431	1 5/8"	1/2"
5/16"	120323	2 9/16"	1/2"
5/16"	128810	3"	1/2"
3/8"	126165	1 7/8"	9/16"
3/8"	120256	2 9/16"	9/16"
3/8"	128812	3"	9/16"
7/16"	120746	2 9/16"	5/8"
5mm	128807	2 9/16"	1/4"
6mm	120705	1 5/8"	1/4"
7mm	120708	1 5/8"	7/16"
8mm	120706	1 5/8"	1/2"
10mm	120707	1 7/8"	9/16"

## NON-MAGNETIC

Hex Size "A"	Item #	Overall Length	Socket Body Diameter "B"
3/16"	120007	2"	5/16"
3/16"	120008	3"	5/16"
1/4"	120262	1 5/8"	7/16"
1/4"	120740	2 9/16"	7/16"
1/4"	120808	3"	7/16"
5/16"	120263	1 5/8"	1/2"
5/16"	120741	2 9/16"	1/2"
5/16"	128102	2"	1/2"
5/16"	128103	3"	1/2"
5/16"	120887	4"	1/2"
5/16"	128106	6"	1/2"
11/32"	128112	2"	9/16"
11/32"	128113	3"	9/16"
3/8"	120264	1 7/8"	9/16"
3/8"	128122	2"	9/16"
3/8"	120742	2 9/16"	9/16"
7/16"	120322	2"	21/32"
7/16"	128143	3"	21/32"
7/16"	120592	6"	21/32"
1/2"	120052	2"	3/4"
1/2"	128163	3"	3/4"
4mm	120880	2 9/16"	11/32"
5mm	120840	2 9/16"	11/32"

American

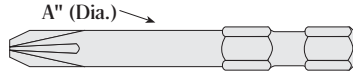
Metric



# Power Bits

For use with ALL Drivers

## POZIDRIVE®



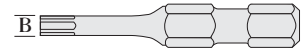
Drive Size	1 <sup>15</sup> / <sub>16</sub> " OL		2 <sup>3</sup> / <sub>4</sub> " OL		3" OL		3 <sup>1</sup> / <sub>2</sub> " OL		6" OL		A"
	Item #	PQ*	Item #	PQ*	Item #	PQ*	Item #	PQ*	Item #	PQ*	
O-PZD	122512	10	-	-	-	-	-	-	-	-	1/8
1-PZD	120162	10	120335	10	-	-	120599	10	120334	1	3/16
2-PZD	120163	10	120189	10	120337	10	120582	10	120359	1	1/4
3-PZD	120164	5	120579	5	120947	5	120207	5	120331	1	1/4

\*OL = Overall Length \*PQ = Package Quantity

## TORXALIGN® WEDGE



Overall Length 1<sup>15</sup>/<sub>16</sub>"



Drive Size	Item #	A"	B"	Package Quantity
T-6	120510	.187	.065	1
T-7	120511	.187	.077	1
T-8	120512	.187	.090	1
T-9	120513	.187	.097	1
T-10	120514	.187	.107	1
T-15	120350	.187	.128	1
T-20	120515	.187	.151	1
T-25	120516	.187	.173	1
T-27	120517	.25	.195	1
T-30	120518	.25	.216	1



## BALLPOINT

(hex)

Overall Length 3" / 76mm



Hex Size	Item #	Cap Screw Size	Set Screw Size	Package Quantity
5/64"	120013	2 - 3	8	10
3/32"	120014	4 - 5	10	10
7/64"	120015	6	-	5
1/8"	120016	-	1/4	5
9/64"	120018	8	-	10
5/32"	120019	10	5/16	10
3/16"	120017	1/4	3/8	10
7/32"	120020	-	7/16	10
1/4"	120021	5/16	1/2	5
5/16"	120011	3/8	5/8	1
3/8"	120869	7/16, 1/2	3/4	1
1/2"	120001	5/8	7/8	1
2mm	120626	M2.5	M4	5
2.5mm	120627	M3	M5	5
3mm	120628	M4	M6	5
4mm	120629	M5	M8	5
5mm	120630	M6	M10	5
6mm	120631	M8	M12	5
8mm	120632	M10	M16	1
10mm	120633	M12	M18 / M20	1
12mm	120635	M14	M22 / M24	1

## TORX®



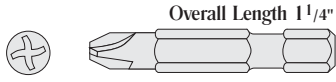
A" (Dia.)



Drive Size	1 <sup>15</sup> / <sub>16</sub> " OL		2 <sup>3</sup> / <sub>4</sub> " OL		3 <sup>1</sup> / <sub>2</sub> " OL		6" OL		A"	B"
	Item #	PQ*	Item #	PQ*	Item #	PQ*	Item #	PQ*		
T-1	126059	1	-	-	-	-	-	-	.098	.033
T-2	126060	1	-	-	-	-	-	-	.098	.037
T-3	126053	1	-	-	-	-	-	-	.098	.044
T-4	126054	1	-	-	-	-	-	-	.098	.051
T-5	121463	1	122017	1	122032	1	122047	1	.125	.055
T-6	121469	1	122018	1	120508	5	120556	1	.125	.065
T-7	120002	1	120344	1	120341	1	120506	1	.125	.077
T-8	120288	1	120338	1	-	-	120502	1	.125	.090
T-9	-	-	121026	1	120507	1	120724	1	.125	.097
T-10	120457	1	120190	1	120870	5	120558	1	.156	.107
T-15	120440	5	120358	1	120352	1	120216	1	.156	.128
T-20	120458	5	120330	1	120349	1	120222	1	.187	.151
T-25	120459	5	120332	1	120764	1	120720	1	.187	.173
T-27	120460	5	120948	1	120755	1	120721	1	.25	.195
T-30	120461	1	120751	1	-	-	120722	1	.25	.216
T-40	120462	1	-	-	-	-	120723	1	.296	.260

\*OL = Overall Length \*PQ = Package Quantity

**TORX-SET®**



Overall Length 1 1/4"

Screw Size	Item #	Package Quantity
TS1-2	120553	1
TS1-4	120555	1
TS1-8	121477	5

**SLOTTED**

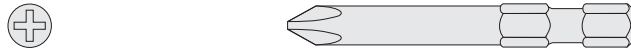


Screw Size	1 15/16" OL		2 3/4" OL		3" OL		3 1/2" OL		4" OL		6" OL		A"	B"
	Item#	PQ*	Item #	PQ*	Item #	PQ*	Item #	PQ*	Item #	PQ*	Item #	PQ*		
1F-2R	120175	10	120730	5	120224	5	120734	5	120475	1	120217	1	.122	.026
2F-3R	120176	10	120223	5	120192	5	120483	5	120485	5	120420	1	.134	.03
3F-4R	120177	10	120405	5	123321	1	120284	5	123319	1	120433	1	.154	.034
4F-5R	120178	10	-	-	120194	5	120203	5	120306	5	120290	1	.187	.036
5F-6R	120179	10	120409	5	120195	5	-	-	120304	5	120545	1	.215	.038
6F-7R	120180	10	120406	5	120196	5	120285	5	120580	5	120435	1	.25	.04
8F-10R	120181	10	120731	10	120197	5	120474	5	120581	5	120436	1	.275	.042
10F-12R	120182	10	120732	5	120198	5	120208	5	120946	5	120532	1	.312	.046
12F-14R	120183	5	120733	5	120199	5	120594	5	120608	1	120736	1	.360	.05

\*OL = Overall Length \*PQ = Package Quantity



**PHILLIPS**

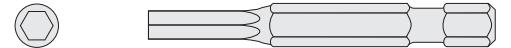


Point Size	1 15/16" OL		2 3/4" OL		3" OL		3 1/2" OL		4" OL		6" OL	
	Item#	PQ*	Item #	PQ*	Item #	PQ*	Item #	PQ*	Item #	PQ*	Item #	PQ*
0	120005	5	120831	5	-	-	120006	5	-	-	124916	1
1	120159	10	120186	10	120200	10	120204	10	120210	10	120214	5
2	120160	10	120187	10	120201	10	120205	10	120211	10	120215	5
3	120161	10	120188	10	120202	10	120206	10	120212	10	120437	5

\*OL = Overall Length \*PQ = Package Quantity

Point Size	Screw Size	Machine Screws				A"
		Flat Oval Binding	Round Fillster	Truss-Brazier Button		
0	0-1	0-1	0-1	0-1		1/8
1	2-3-4	2-3-4	2-3-4	2-3-4-5		3/16
2	5-6-7-8-10	5-6-7-8-10	5-6-7-8-10	6-8-10		1/4
3	12-14	12-14	12-14-15-16	12-14		1/4

**SOCKET HEAD (allen type)**



Overall Length 1 15/16" / 49mm

Hex Size	Item #	Cap Screw Size	Set Screw Size	Package Quantity	
1/16"	120165	1	5 - 6	5	American
5/64"	120166	2 - 3	8	1	
3/32"	120167	4 - 5	10	5	
7/64"	120218	6	-	5	
1/8"	120169	-	1/4	5	
9/64"	120170	8	-	5	
5/32"	120171	10	5/16	5	
3/16"	120172	1/4	3/8	5	
1/4"	120174	5/16	1/2	5	
5/16"	129808	5/8	5/8	1	
1.5mm	120777	M1.6 / M2	M3	1	Metric
2mm	120778	M2.3 / M2.5 / M2.6	M4	1	
2.5mm	120796	M3	M5	1	
3mm	120797	M4	M6	1	
4mm	120848	M5	M8	1	
5mm	120841	M6	M10	1	
6mm	120348	M8	M12	1	
8mm	120849	M10	M16	1	

Ask a Mountz customer service representative for a copy of our other Catalogs.



### **ASSEMBLY POWER TOOL CATALOG - MC14**

Available in Print or PDF format, 76 page



### **TORQUE ANALYZER & TEST MEASUREMENT CATALOG - MC14**

Available in Print or PDF format, 24 page



### **TORQUE MULTIPLIER CATALOG - MC14**

Available in PDF format only, 24 page



### **CORPORATE HEADQUARTERS**

1080 North 11th Street  
San Jose CA 95112  
t 408.292.2214  
t 800.456.1828  
f 408.292.2733  
e-mail sales@etorque.com  
www.etorque.com

### **DISTRIBUTION & SERVICE CENTER**

19051 Underwood Road  
Foley AL 36535  
t 251.943.4125  
f 251.943.4979

### **US & CANADA SALES OFFICES**

Anaheim, Boston, Charlotte, Chicago, Cleveland,  
Dallas, El Paso, Los Angeles, Minneapolis, Nashville,  
Phoenix, Seattle, San Jose, Toronto

### **MOUNTZ MEXICO SA de CV**

#### **MAIN OFFICE & SERVICE CENTER**

Av. Cristobal Colon #15343  
Col. Paseos de Chihuahua  
Chihuahua, Chih. Mexico CP 31125  
t 614.481.0023  
f 614.481.0053

#### **MEXICO SALES OFFICES**

Tijuana, Cd. Juarez, Chihuahua, Reynosa, Monterrey,  
Mexico DF, Guadalajara